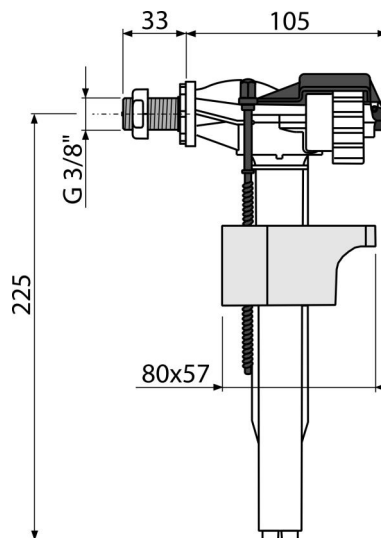


A16M-3/8"

Side inlet fill valve metal thread for plastic WC cisterns and pre-wall installation systems



Application

For plastic cisterns and pre-wall installation systems
For replacement
For installation on the side of the cistern

Features

- Compatible with pre-wall installation systems Alca
- Metal thread length 33 mm
- Built-in filter to trap dirt
- Smooth closing without any shocks
- Adjustable water level
- Low sensitivity to the changing pressure in the water main
- Material: ABS

Scope of supply

- Valve
- Nut 3/8" – white
- Strainer for dirt

Order number, Logistic information

| Code | EAN | Weight (piece packing palett) | Dimensions (piece packing) | Quantity (packing palett) |
|-----------|---------------|--------------------------------------|---------------------------------|--------------------------------|
| A16M-3/8" | 8595580551056 | 0,16 12,20 215,1 kg | 235×130×60 590×430×390 mm | 75 1200 pcs |

Warranty

2/3 years *

Technical specifications

- Acoustic group I <20 dB
- Working range 0,05-0,8 MPa
- Recommended operating pressure 0,5-0,8 MPa
- Thread diameter 3/8 "