

Light data

Luminous flux
515 lm

Tunable white
2,200–4,000 K

Beam angle
40°

Dimming
0.1–100 %

RA
90

SDCM
3

L70/B50
60,000 h, Ta 35 °C

Light source
LED (non user replaceable)

Technical data

IP rating
Luminaire: IP44
Driver: IP20

Protection
Electronic temp protection

Insulation class
Class II

Permissible ambient temperature
-25 to +35 °C

Maximum power consumption
8 W

Energy efficiency class
F

Mains electricity
230 V~ 50 Hz

Standby power
Pno, Psb: N/A
Pnet: 0.09 W

Maximum bypass current
16 A

Cable area
0.75–2.5 mm²

Isosafe
Can be installed directly against insulation

Operating environment
Indoor/outdoor (e.g eaves)

Radio
2.4 GHz mesh
Bluetooth®
<10 dBm

Radio range:
approx. 10 m indoors.
The Plejd mesh technology extends the range by allowing the units to communicate with each other.

RISK OF INJURY TO PERSON OR PROPERTY

All work on the appliance must be carried out by an authorized electrician. National laws and regulations must be followed.

Compliant to standards

Hereby, Plejd AB declares that the radio equipment type DWN-01 is in compliance with Directive 2014/53/EU.

The full text of the EU declaration of conformity is available at the following internet address: plejd.com/compliance

Support

In the event of any technical questions, please contact our customer service: support@plejd.com | +46 (0) 10 203 89 91

Plejd AB, Krokslätts Fabriker 27A
431 37 Mölndal, Sweden



Important information

Do not use the product if it has visible signs of damage.

The light source of this luminaire is not replaceable. When the light source reaches its end of life the whole luminaire shall be replaced. If the external flexible cable of this luminaire is damaged, the luminaire shall be destroyed.



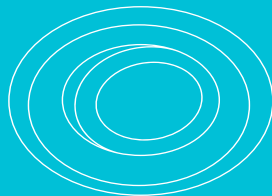
Disposal and recycling

This electrical product should not be disposed of together with other household waste. Contact your local recycling center for guidance on electrical and electronic equipment disposal.

EN

Plejd

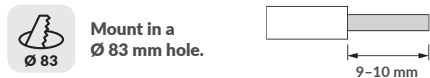
DWN-01 INSTALLATION MANUAL



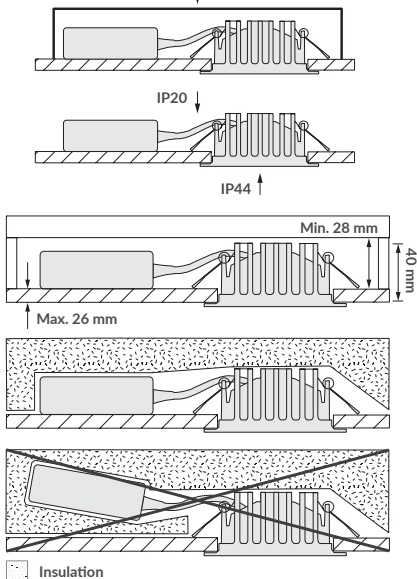
Further information can be found in the **Plejd** app or at plejd.com

NOTE! Do not wire to dimmer.

Dimmer is built-in.



Use protective box to improve IP rating inside recess.

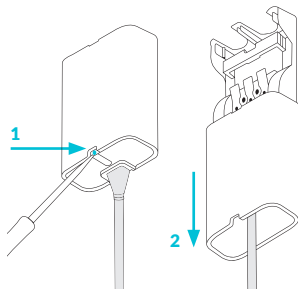


Make sure to **shut off the main power** before installing the DWN-01.

Install the product

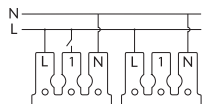
Step 1. Open the driver by pressing the blue button with a narrow tool.

Step 2. Pull the sleeve towards the light source.



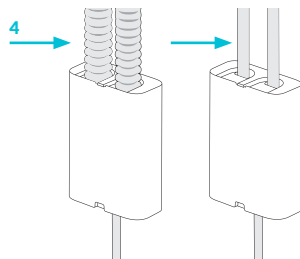
Step 3. Connect live (L) and neutral (N) wires. Control input 1 can be used for control with: push button (preset), light switch, or motion sensor (with neutral conductor). The input can also be used to wirelessly control one or more products from Plejd.

NOTE! Do not connect input 1 between several products. Use the app to configure the control and connection of several luminaires in a group.



Luminaire 1 Luminaire 2

Step 4. Connect with double-insulated cable or 16 mm flexible conduit. If mounted with cable, press the strain bar firmly into place. If a flexible conduit is used, remove the strain bar and slide the conduit over the edges around the openings. H05VV-F (2x0.75) and H05VV-F (3x1.5) are only to be used with a 16 mm flexible conduit.



Step 5. Slide the sleeve over the driver to close it, then install the downlight in the intended location.

Follow the instructions in the app

Download the Plejd app on the App Store or Google Play. Use the app to complete the installation and group your downlights. Setup requires Bluetooth® and an internet connection.

Hand over the Plejd system

Once you have completed the installation, you will find the system code in the app. Write the code on the included sticker . Place the sticker in the distribution box and give the welcome folder to the customer.